



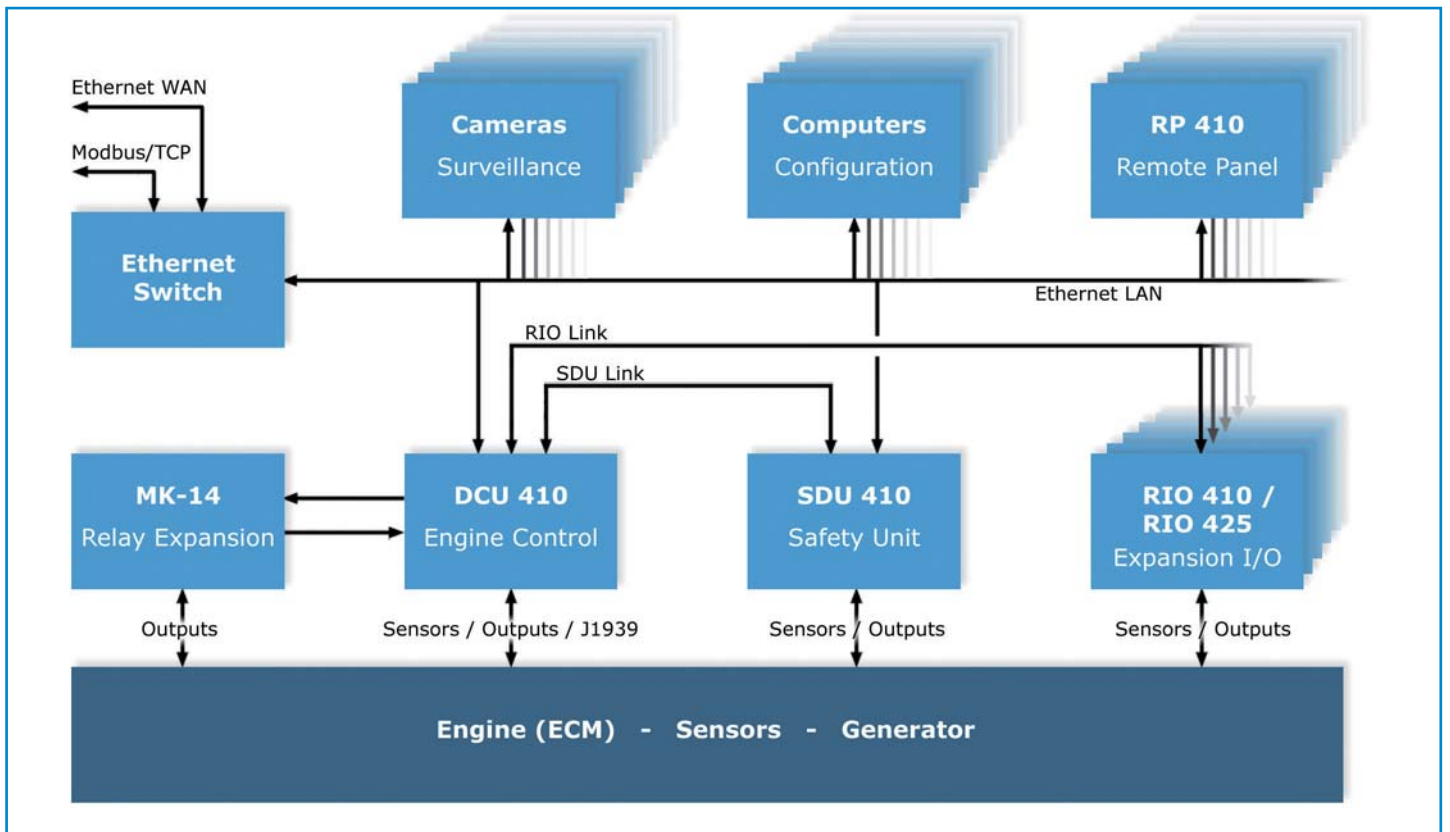
What is the SDU 410?

The SDU 410 (Shut Down Unit) is an independent module designed to provide the functionality required to meet Classification Society Rules up to and including UMS notations. Equipped with 8 switched channels, for normally open switches and inputs for two speed sensors, complete with wire break detection, the SDU 410 also provides for short circuit protection both to ground and across terminals on these channels. The unit also has warning LED's for each channel reflecting potential fault conditions to assist troubleshooting. With its own built in web server, the SDU is automatically configured by the DCU module when connected via the simple two wire cables. The unit can also be used independently outside the Marine pro system and programmed just using an Ethernet cable and any computer with a web browser.

Why more customers select the SDU 410

The combination of the SDU and DCU allows customers to be selective. Why pay for functionality of Classed shutdowns if you do not need it? Simple DIN rail fitment means easy installation, and connectivity is clear via the printed connection diagram on unit, plus no special tools. The ability to configure the unit without any interaction when connected to a DCU means significant savings in resource. The SDU, even when functioning as a "stand alone" unit is still connectable to the Ethernet by a standard Ethernet cable, so the information and events are readily available to the ships systems when required.

FLEXIBLE
MODULAR
SELF CONFIGURING
EXPANDABLE



Features and Benefits



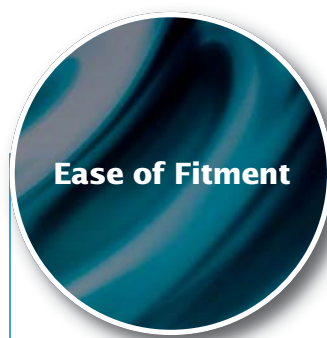
Compliant and Certified to Class

- Wire break alarm standard
- Pre configured for Diesel Engine protection
- Short circuit protection included
- 10 Global Class Certifications



Self Configuring from DCU

- Easy installation with two wire connectability
- Easy commissioning by non IT experts
- Configuration approved by Class



Ease of Fitment

- DIN rail mounted
- Clear printed connection diagram
- No special tools required
- Only software required is a web browser



Functionality & Connectivity

- Appropriate switch channels pre defined
- Ethernet / Modbus connectivity
- Local LED's for troubleshooting channels
- Independant stand alone unit

Sales and Marketing

Auto-Maskin UK Ltd
 SATRA Innovation
 Rockingham Road, Kettering,
 Northants NN16 9JH, United Kingdom
 Tel.: +44 (0) 1536 533290 Fax: +44 (0) 1536 569369
 E-mail: office@auto-maskin.no
 Web: www.auto-maskin.co.uk

Ordering Info

Item	Part Number
DCU 410:	1006450
DCU 408:	1006455
SDU 410:	1006451
RIO 410:	1006453
RIO 425:	1006457
RP 410:	1006452
MK-14:	1121252